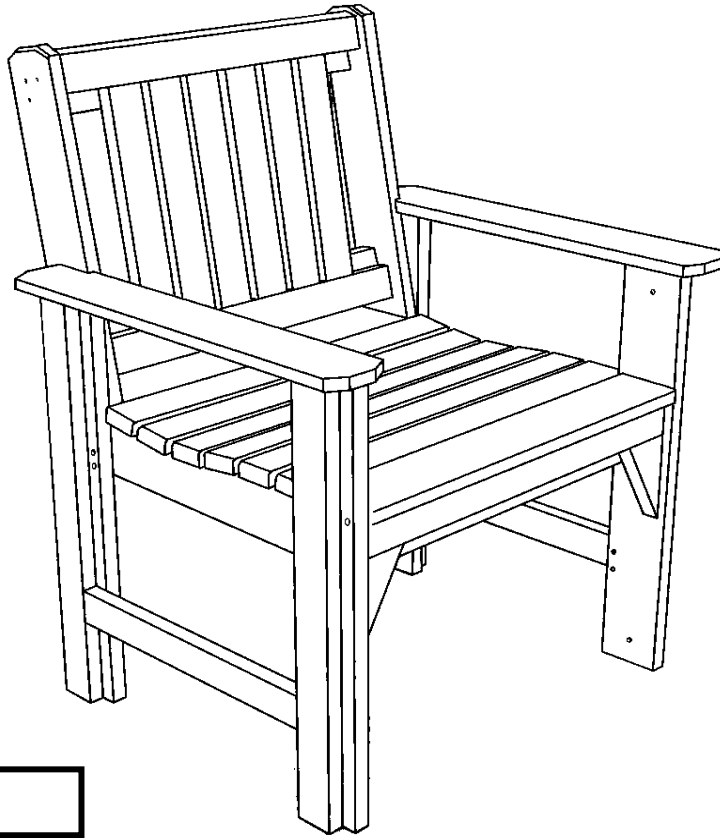




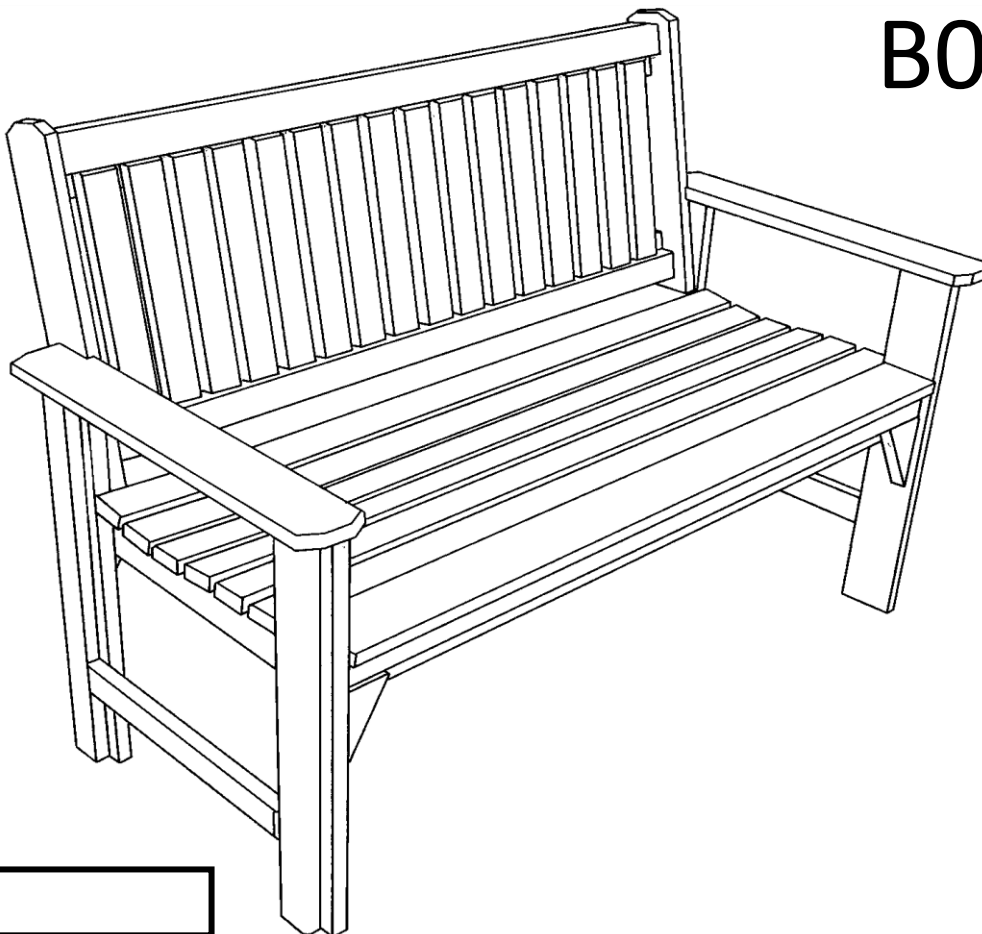
Generation Line

BY C.R. PLASTIC PRODUCTS INC

C12



B01

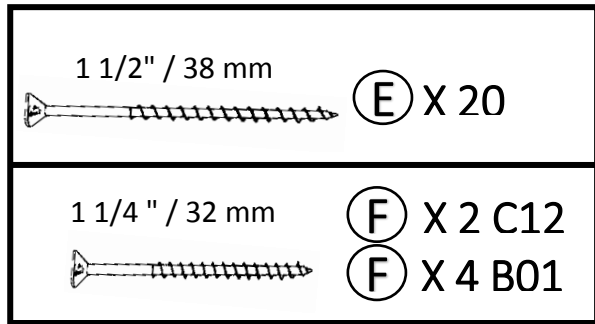
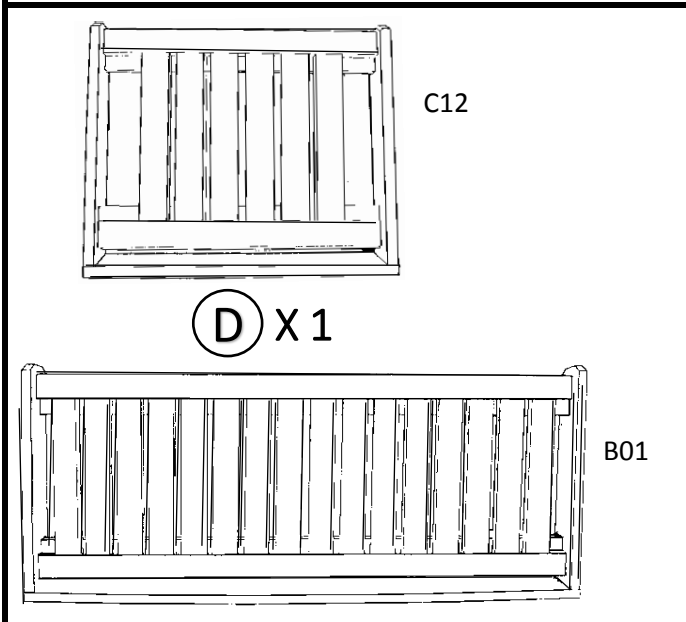
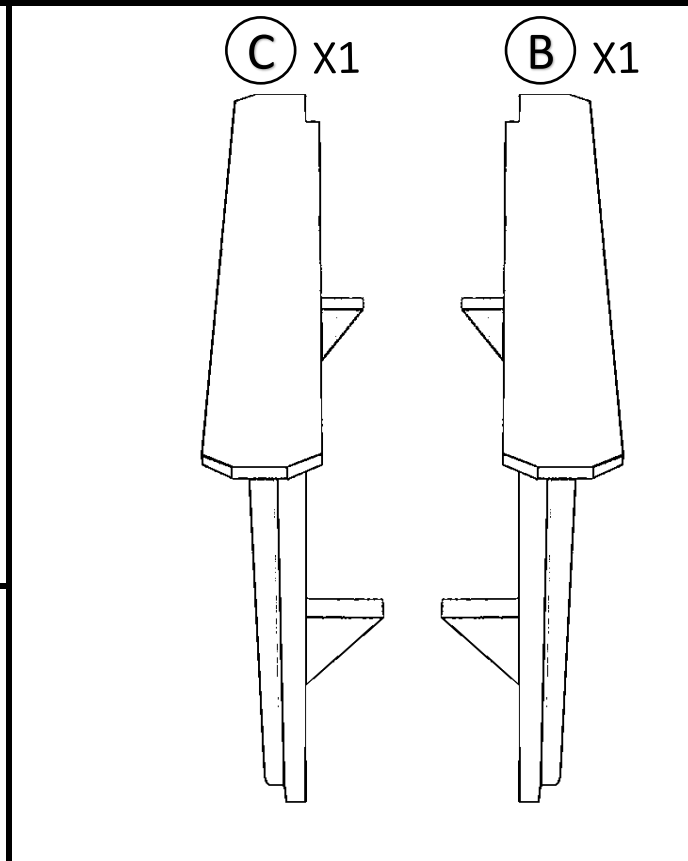
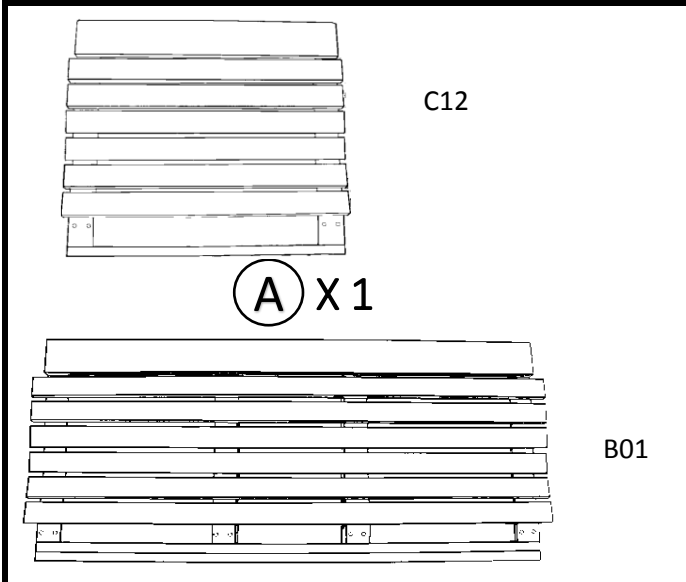




Generation Line

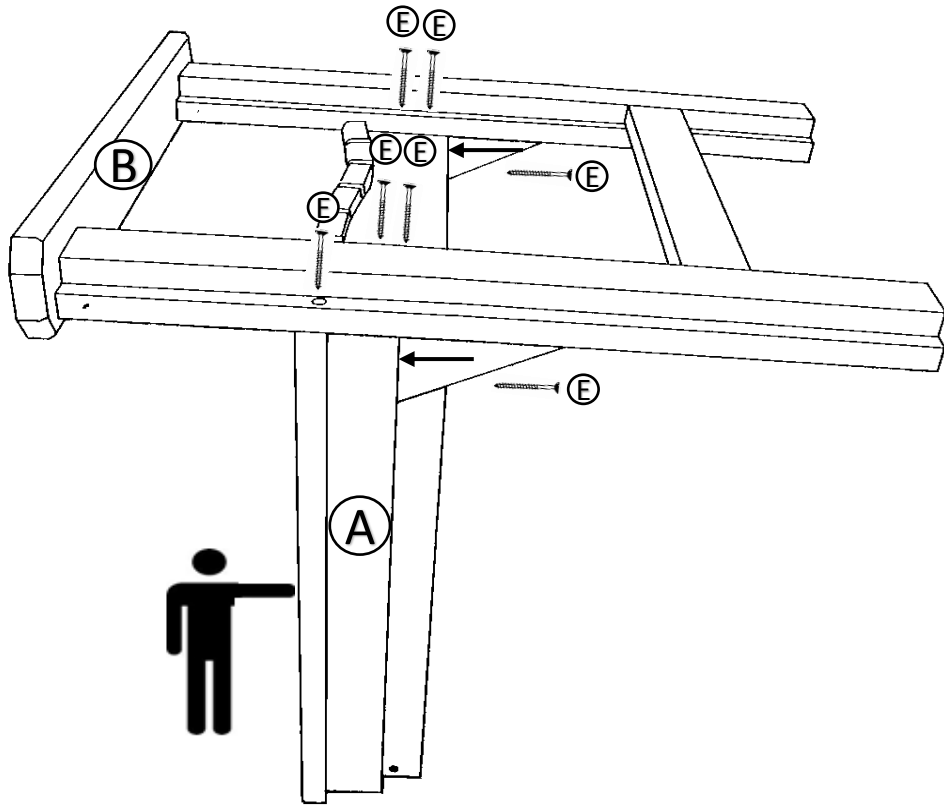
BY C.R. PLASTIC PRODUCTS INC

C12/B01



1

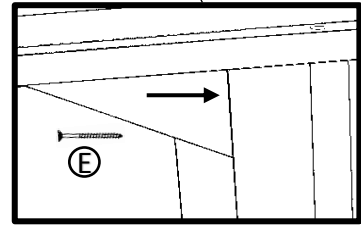
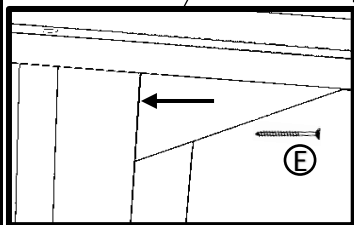
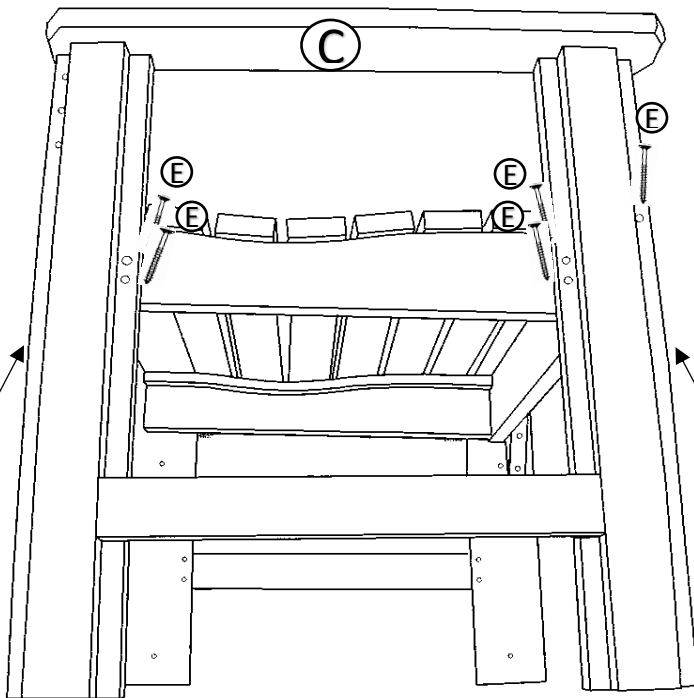
- (A) X1
- (B) X1
- (E) X7



?

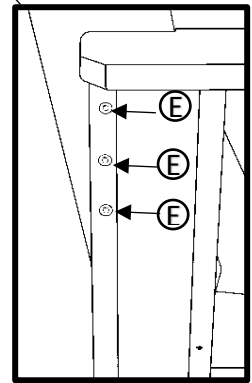
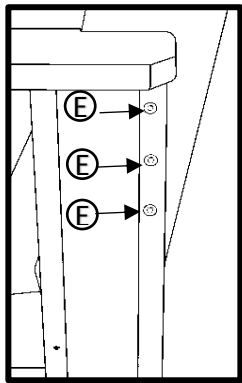
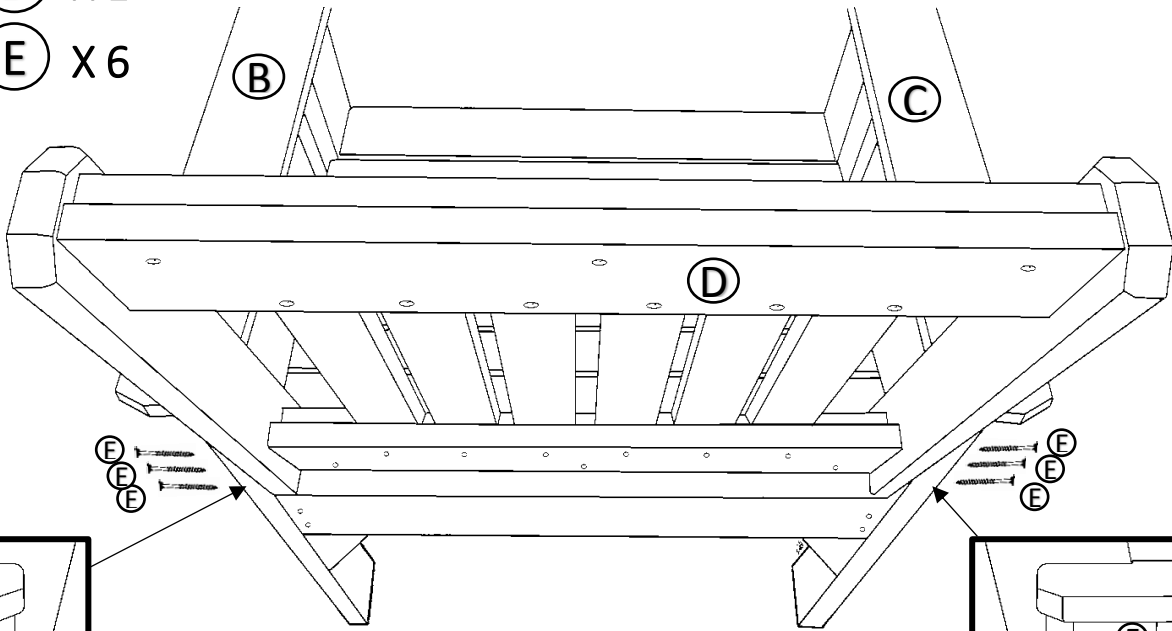
2

- (C) X1
- (E) X7



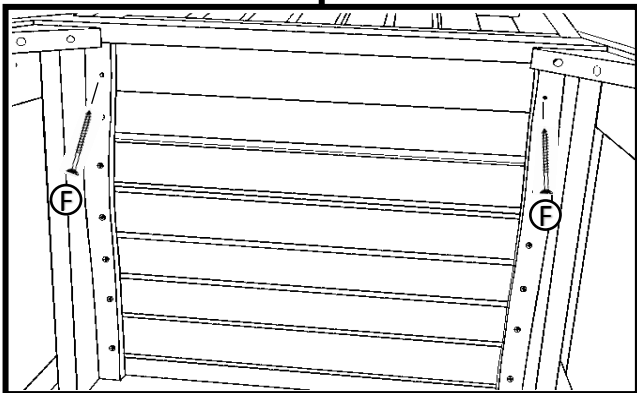
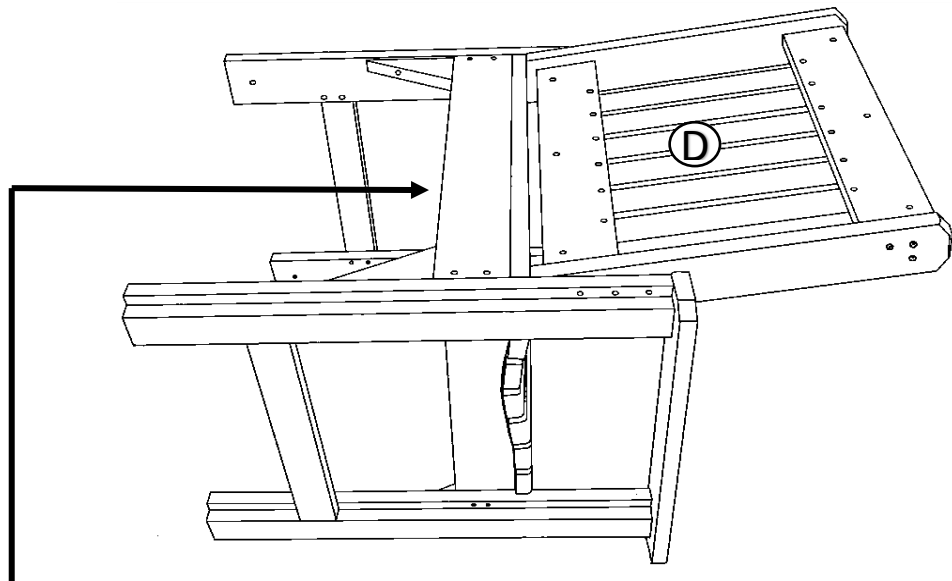
?

3 (D) X1
(E) X6



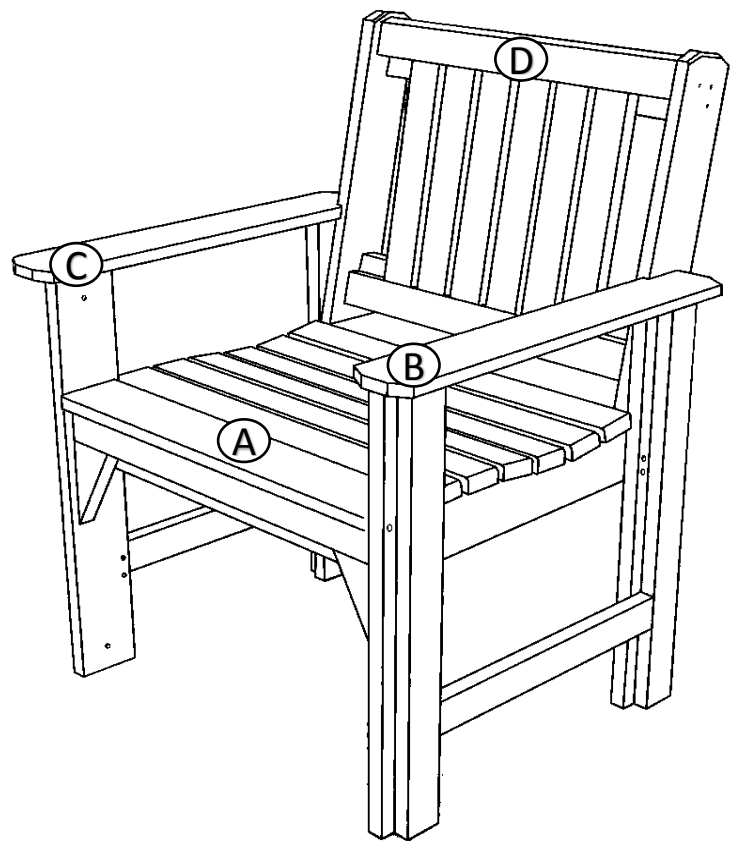
?

4 (F) X 2 (C12)
(F) X 4 (B01)

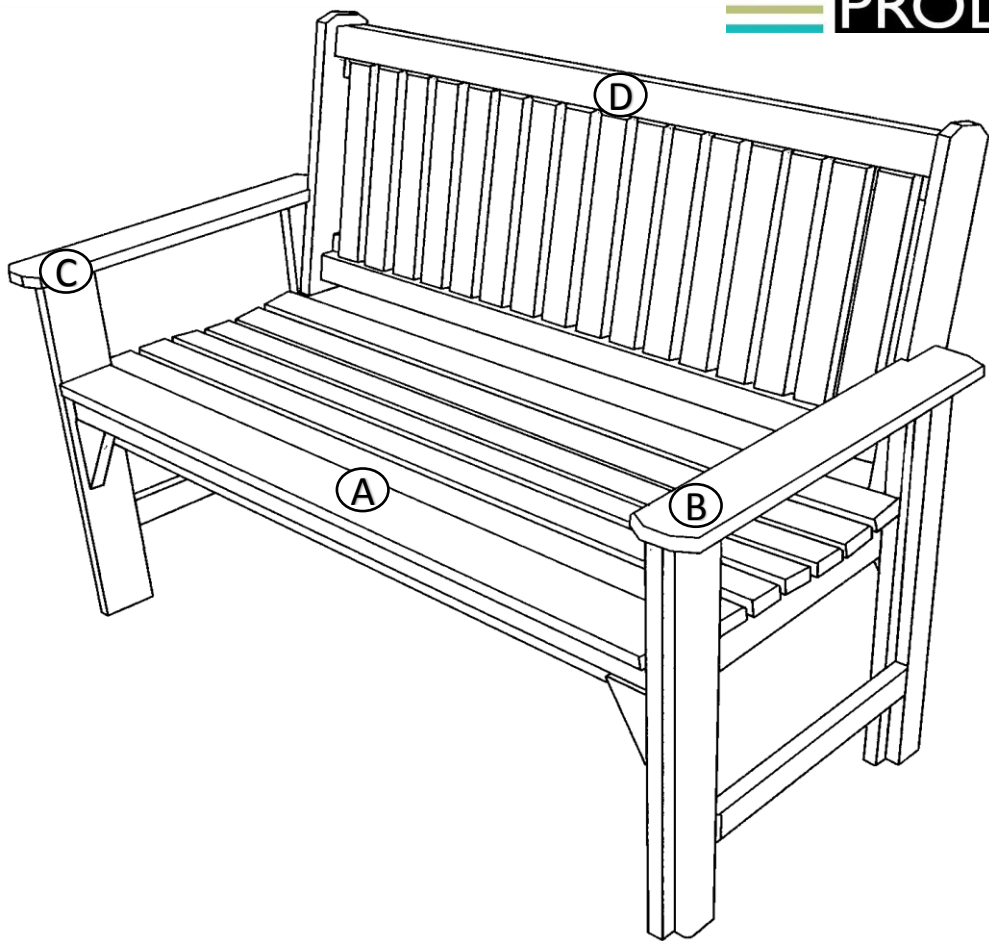


?

C12



B01



?