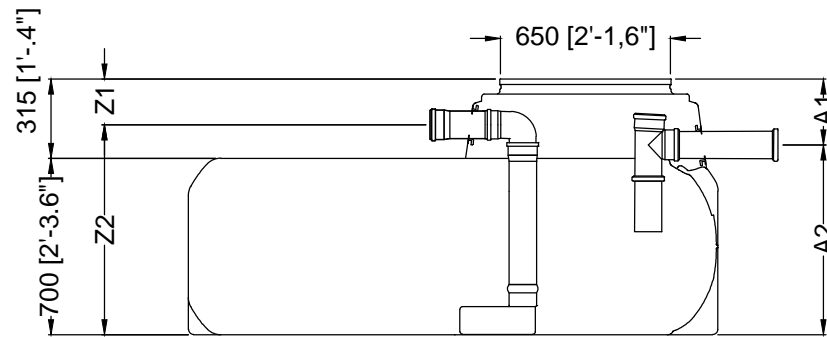
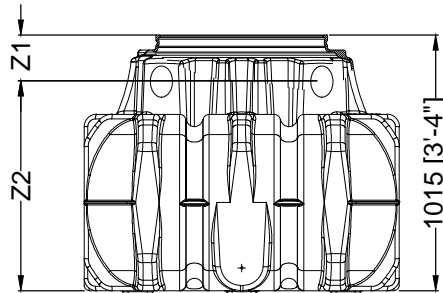
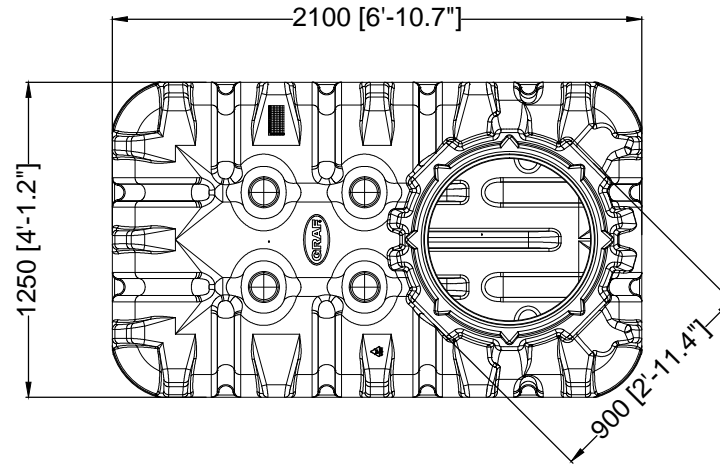


| | | |
|----|------------------|------------------|
| | #390350 | #390354 |
| | DN 100 | DN 150 |
| Z1 | 185 [7.3"] | 210 [8.3"] |
| Z2 | 830 [2'-8.7"] | 805 [2'-7.7"] |
| A1 | 265 [10.4"] | 240 [9.5"] |
| A2 | 750 [2'-5.5"] | 775 [2'-6.5"] |



| | | | | | | | | |
|---|------------|--|---|---|--------|---|-----------|----------------|
| D | | | GRAF Platin Flachtank 1500 L / 396,3 gal. Sedimentationstank DWA-M 153 | | | Artikel-Nr. product no. 390350 / 390354 article no. articulo no. | | |
| GB | | ES | | FR | | Otto Graf GmbH Carl-Zeiss-Str. 2-6 DE-79331 Teningen mail@graf.info www.graf.info | | |
| GRAF Platin flat tank 1500 L / 396,3 gal. | | GRAF Platin Depósito de poco profundidad 1500 L / 396,3 gal. | | GRAF Platin Cuve à enterrer 1500 L / 396,3 gal. | | | | |
| gezeichnet, drawn | ISC | Gewicht, weight | 82 kg | revision | | | | |
| Datum, date | 2017.07.12 | Toleranz, tolerance | +/- 3% | Maßstab, scale | M 1:30 | Einheiten, units | mm [inch] | gal. = US gal. |

